

Bảng thông số sản phẩm

Thông số kỹ thuật



time delay relay 2 functions - 0.02 s..300 h - 24..240 V AC - 2 OC

RE48AMH13MW

Main

Range of product	Harmony Timer Relays
product or component type	Panel-mounted/plug-in timer relay
Electrical connection	Plug-in sub-base 8 pin(s)
Width	48 mm
Discrete output type	Relay
Contacts type and composition	1 C/O + 1 C/O timed or instantaneous contact, AgNi (cadmium free)
Component name	RE48
time delay type	Delay on energization Pulse-on energization
time delay range	2...120 h 5...300 min 0.2...12 min 2...120 s 0.2...12 h 0.02...1.2 s 0.5...30 h 0.2...12 s 5...300 h 0.5...30 s 0.05...3 s 5...300 s 2...120 min 0.5...30 min
[Us] rated supply voltage	24...240 V AC/DC 50/60 Hz
Voltage range	0.85...1.1 Us AC 0.9...1.1 Us DC
[In] rated current	5 A

Complementary

Product front plate size	48 x 48 mm
Control type	Selector switch front panel
Housing material	Self-extinguishing
Repeat accuracy	+/- 0.2 % of the maximum setting value conforming to IEC 61812-1
Temperature drift	+/- 0.02 %/°C of the maximum setting value conforming to IEC 61812-1
Voltage drift	+/- 0.2 %/V of the maximum setting value at 48...240 V +/- 1 %/V of the maximum setting value at 24...48 V
Setting accuracy of time delay	+/- 5 % of full scale at 25 °C conforming to IEC 61812-1
Minimum pulse duration	20 ms
Reset time	25 ms on de-energisation

Pick up duration	55 ms
On-load factor	100 %
Power consumption in VA	1.1 VA at 24 V 4.8 VA at 240 V
Power consumption in W	0.5 W at 24 V 1.7 W at 240 V
Breaking capacity	1250 VA
Minimum switching current	100 mA
Maximum switching current	5 A
Maximum switching voltage	250 V AC/DC
Electrical durability	100000 cycles
Mechanical durability	30000000 cycles
Output voltage	240 V at 5 A AC-12 30 V at 2 A DC-13 240 V at 1.5 A AC-15
marking	CE
Surge withstand	1 kV differential mode conforming to IEC 61000-4-5 level 3 2 kV common mode conforming to IEC 61000-4-5 level 3
mounting support	Base mounted: socket Panel mounted: system supplied with the product
Local signalling	1 LED (yellow) for output relay state LED indicator (green) for flashing: relay energised timing in progress LED indicator (green) for on steady: relay energised, no timing in progress
Function available	A1- Delay on energization-2 C/O A2- Delay on energization-2 C/O H1-Pulse-on energization-2 C/O H2-Pulse-on energization-2 C/O
Control type	Without test button
net weight	0.14 kg
Shape of pin	Cylindrical
Number of functions	4

Environment

Humidity drift	+/- 0.05 %/%RH of the maximum setting value conforming to IEC 61812-1
Immunity to microbreaks	10 ms
Dielectric strength	1 kV 1 mA/1 minute conforming to IEC 61812-1
Protection against electric shocks	4 kV class III conforming to IEC 60664-1 4 kV class III conforming to IEC 61812-1
Standards	EN 50082-1/2 EN 50081-1/2 93/68/EEC 73/23/EEC 89/336/EEC IEC 60669-2-3 IEC 61812-1
Product certifications	cULus UL CSA C-Tick
Ambient air temperature for storage	-40...70 °C
Ambient air temperature for operation	-20...50 °C

IP degree of protection	IP40 (housing) conforming to IEC 60529 IP50 (front face) conforming to IEC 60529
Vibration resistance	0.35 mm (f= 10...55 Hz) conforming to IEC 60068-2-6
Relative humidity	93 % without condensation conforming to IEC 60068-2-3
Resistance to electrostatic discharge	6 kV in contact conforming to IEC 61000-4-2 level 3 8 kV in air conforming to IEC 61000-4-2 level 3
Resistance to electromagnetic fields	10 V/m 26 MHz to 1 GHz conforming to IEC 61000-4-3 level 3
Resistance to fast transients	2 kV (capacitive connecting clip) conforming to IEC 61000-4-4 level 4 4 kV (direct) conforming to IEC 61000-4-4 level 4
Immunity to radioelectric fields	10 V (0.15...80 MHz) conforming to IEC 61000-4-6 level 3
Immunity to voltage dips	30 % / 10 ms conforming to IEC 61000-4-11 60 % / 100 ms conforming to IEC 61000-4-11 95 % / 5 s conforming to IEC 61000-4-11
Disturbance radiated/conducted	Class B 0.15...30 MHz conforming to EN 55022 (EN 55011 group 1)

Packing Units

Unit Type of Package 1	PCE
Number of Units in Package 1	1
Package 1 Height	5.700 cm
Package 1 Width	10.500 cm
Package 1 Length	6.200 cm
Package 1 Weight	127.000 g
Unit Type of Package 2	S02
Number of Units in Package 2	30
Package 2 Height	15.000 cm
Package 2 Width	30.000 cm
Package 2 Length	40.000 cm
Package 2 Weight	4.293 kg

Contractual warranty

Warranty	18 months
-----------------	-----------

Bền vững

Nhãn **Green Premium™** là cam kết của Schneider Electric trong việc cung cấp sản phẩm với hiệu suất môi trường tốt nhất. Green Premium cam kết tuân thủ các quy định mới nhất, minh bạch về tác động môi trường, cũng như các sản phẩm tuần hoàn và CO₂ thấp.

Hướng dẫn đánh giá tính bền vững của sản phẩm là tài liệu kỹ thuật phổ thông giúp làm rõ các tiêu chuẩn nhãn sinh thái toàn cầu và cách diễn giải việc khai báo môi trường.

[Tìm hiểu thêm về Green Premium >](#)

[Hướng dẫn đánh giá về sự bền vững của sản phẩm >](#)



Minh bạch [RoHS/REACH](#)

Hiệu suất sức khỏe



Mercury Free



Rohs Exemption Information

[Yes](#)

Chứng nhận & Tiêu chuẩn

Reach Regulation

[REACH Declaration](#)

Eu Rohs Directive

Pro-active compliance (Product out of EU RoHS legal scope)

China Rohs Regulation

[China RoHS declaration](#)

Environmental Disclosure

[Product Environmental Profile](#)

Weee

The product must be disposed on European Union markets following specific waste collection and never end up in rubbish bins

Circularity Profile

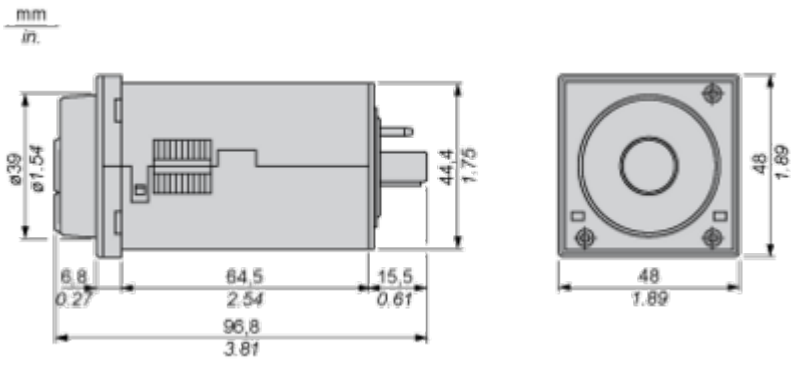
[End of Life Information](#)

Bảng thông số sản phẩm

RE48AMH13MW

Dimensions Drawings

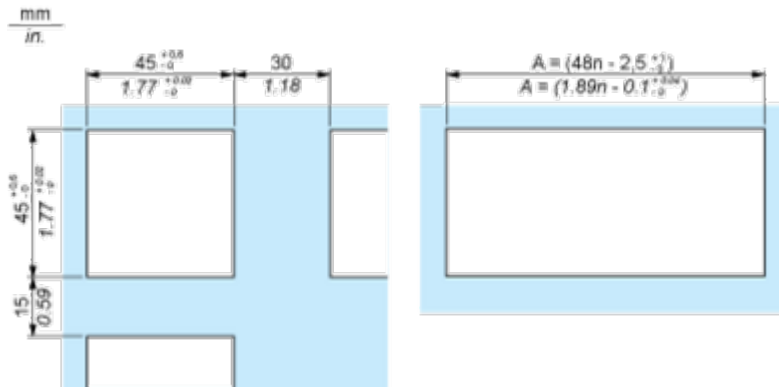
Width 48 mm



Mounting and Clearance

Panel Cut-Out and Mounting

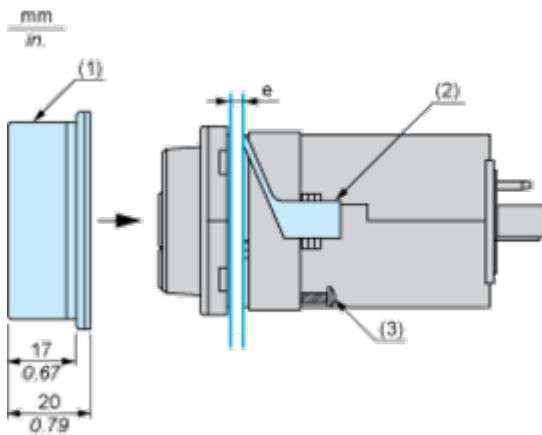
Panel Cut-Out



n Number of devices mounted side-by-side

Mounting

Cover positioning and mounting



e Panel thickness

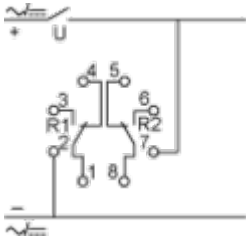
1 Protective cover

2 Panel mounting frame

3 Locating screw

Connections and Schema

Wiring Diagram

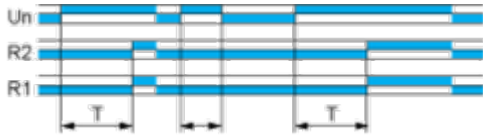


Technical Description

Functions A1, A2: Delay on Energisation

Description

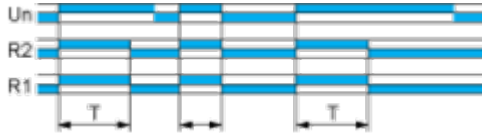
The timing period T begins on energisation. After timing, the output(s) R close(s). The second output can be either timed or instantaneous.



Functions H1, H2: Pulse-on Energisation





Description

On energisation of the relay, timing period T starts and the output(s) R close(s). At the end of the timing period T, the output(s) R revert(s) to its/their initial state. The second output can be either timed or instantaneous.



If H1 is selected, only R2 is timed, R1 is instantaneous.

Legend

	Relay de-energised
	Relay energised
	Output open
	Output closed

C	Control contact
G	Gate
R	Relay or solid state output
R1/R2	2 timed outputs
R2 inst.	The second output is instantaneous if the right position is selected
T	Timing period
Ta -	Adjustable On-delay
Tr -	Adjustable Off-delay
U	Supply